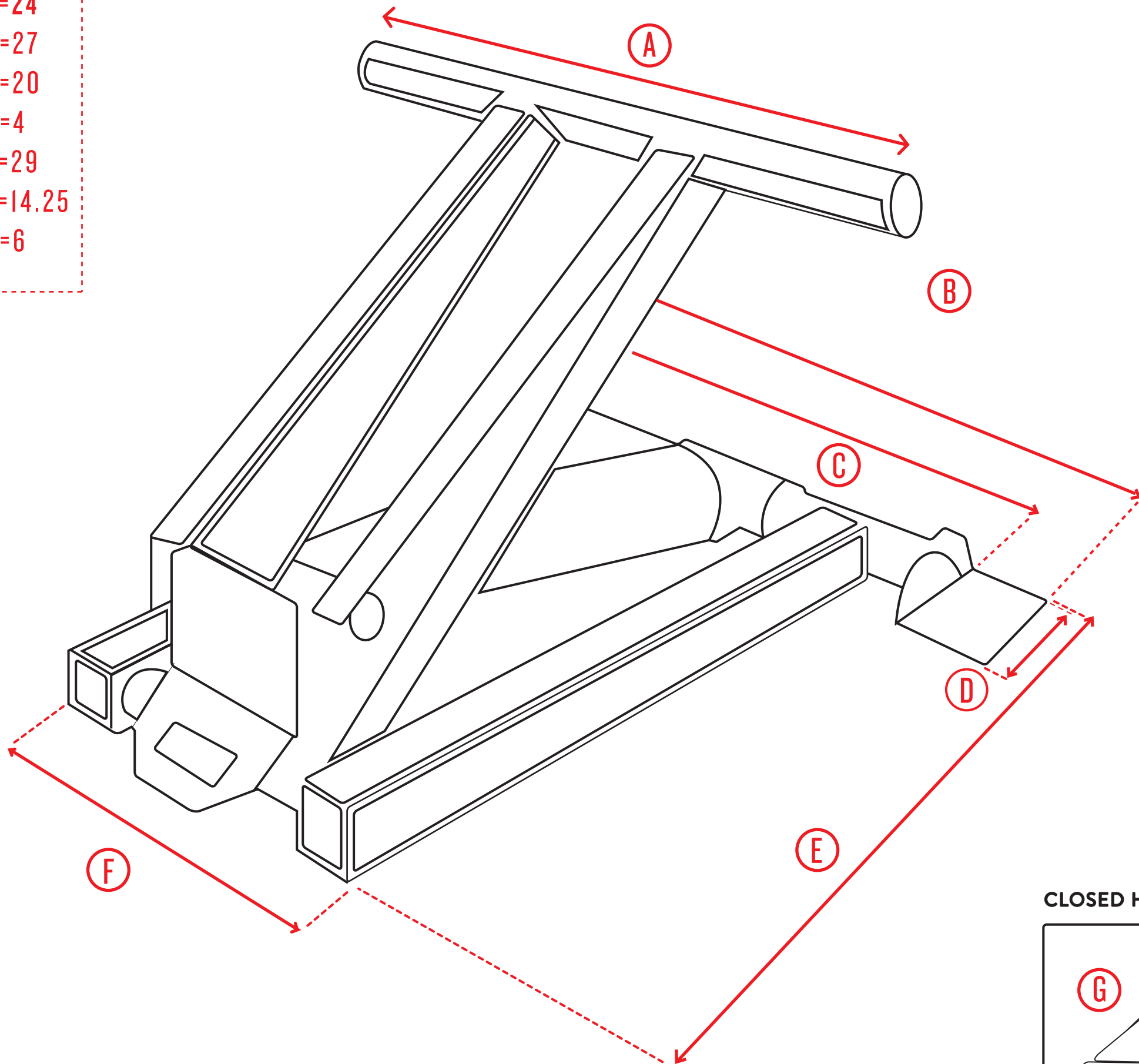


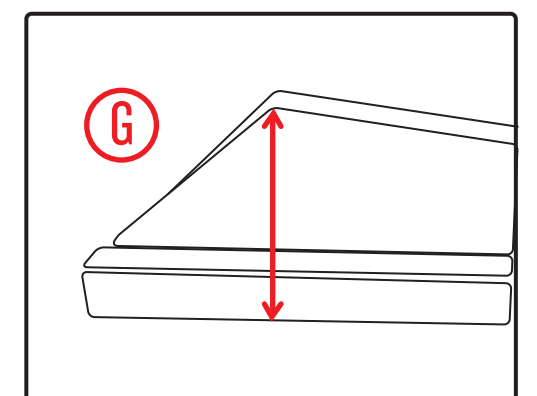
310
MODEL

POWER HOISTS

A=24
B=27
C=20
D=4
E=29
F=14.25
G=6



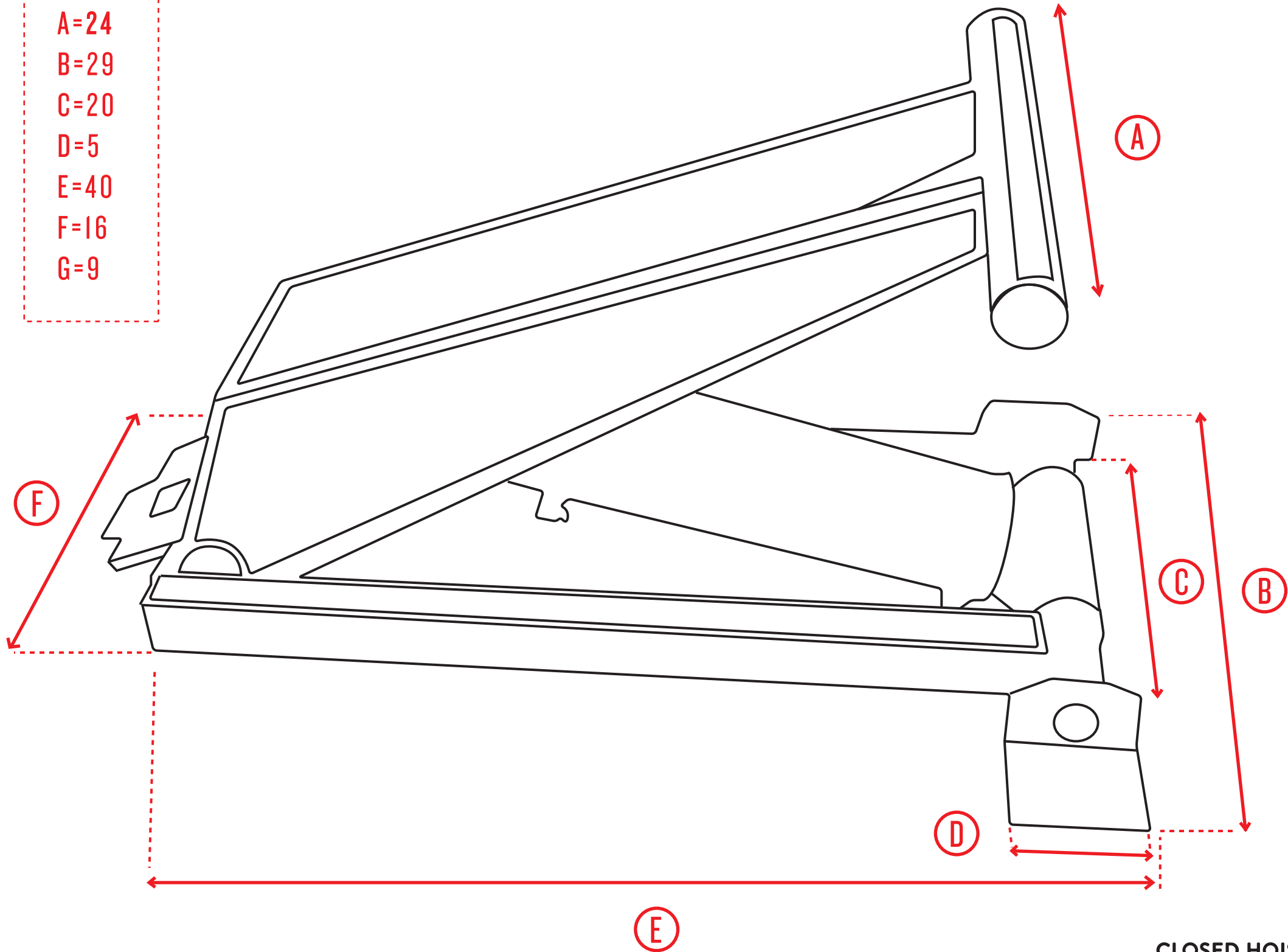
CLOSED HOIST



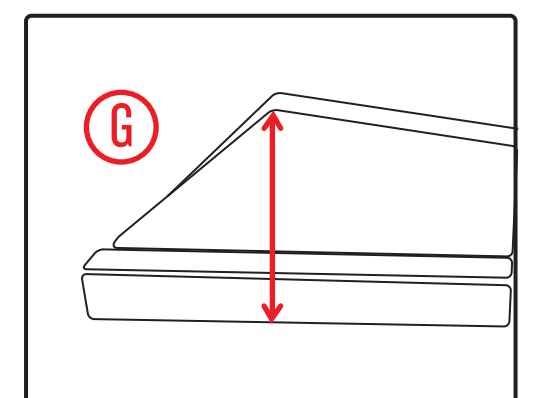
416
MODEL

POWER HOISTS

A=24
B=29
C=20
D=5
E=40
F=16
G=9



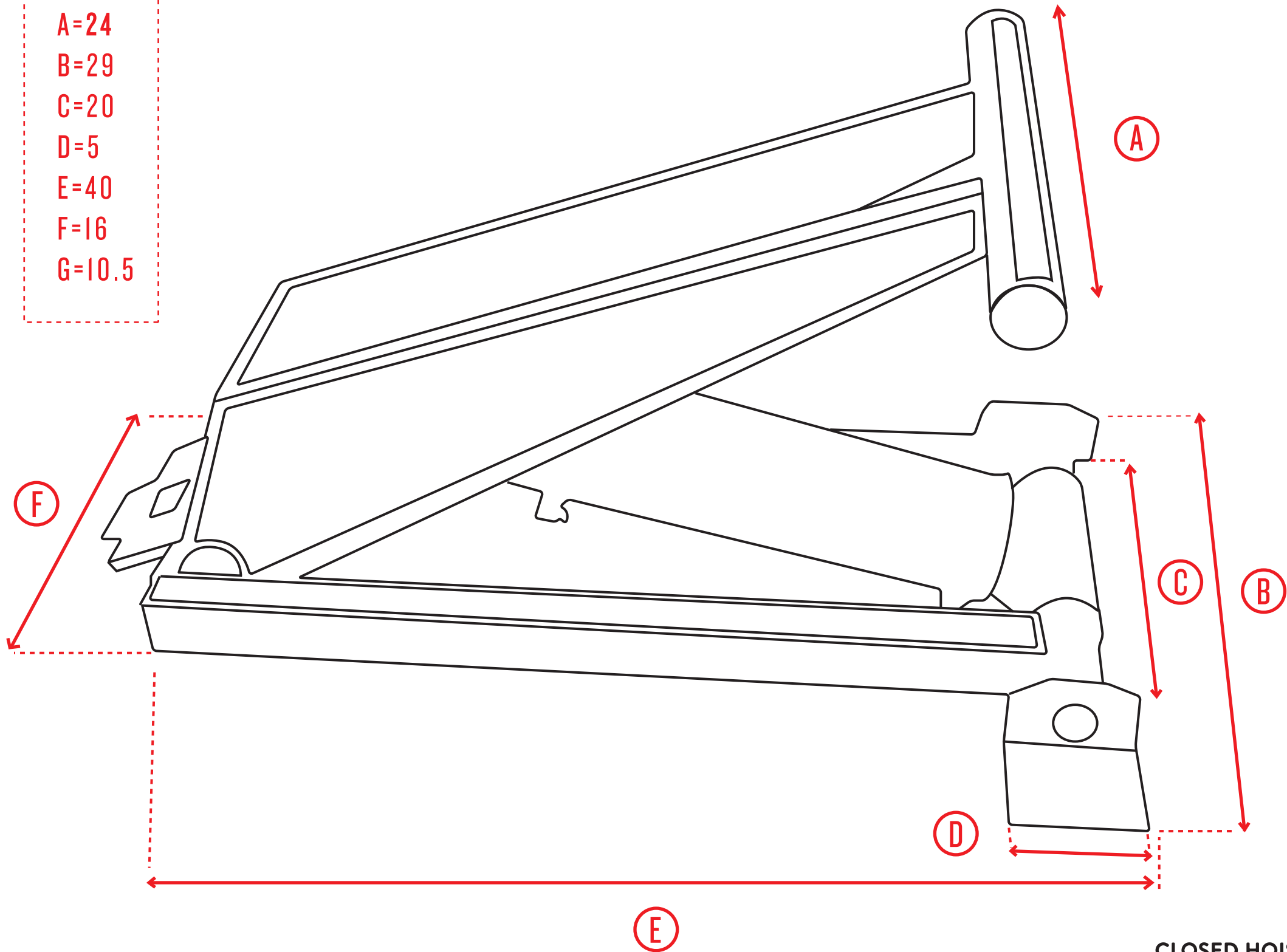
CLOSED HOIST



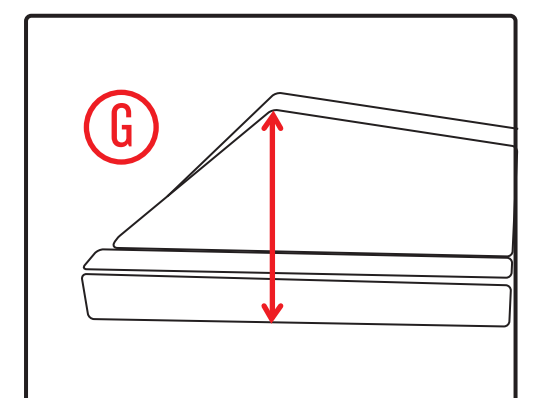
516
MODEL

POWER HOISTS

A=24
B=29
C=20
D=5
E=40
F=16
G=10.5



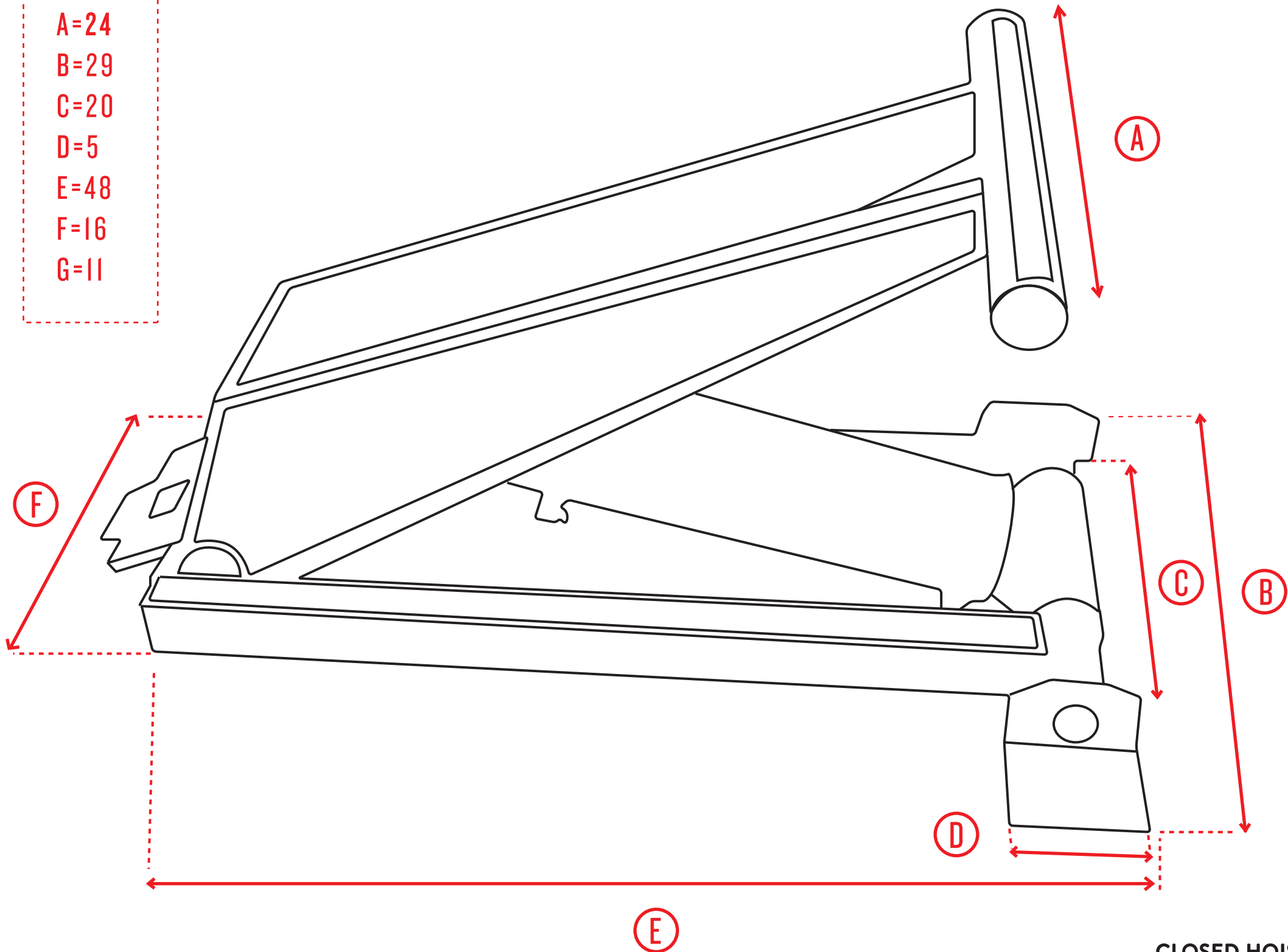
CLOSED HOIST



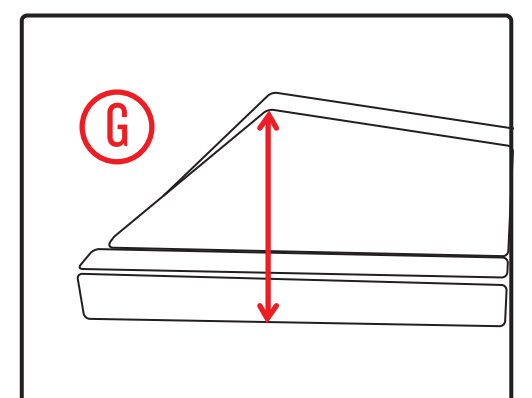
520
MODEL

POWER HOISTS

- A=24
- B=29
- C=20
- D=5
- E=48
- F=16
- G=11



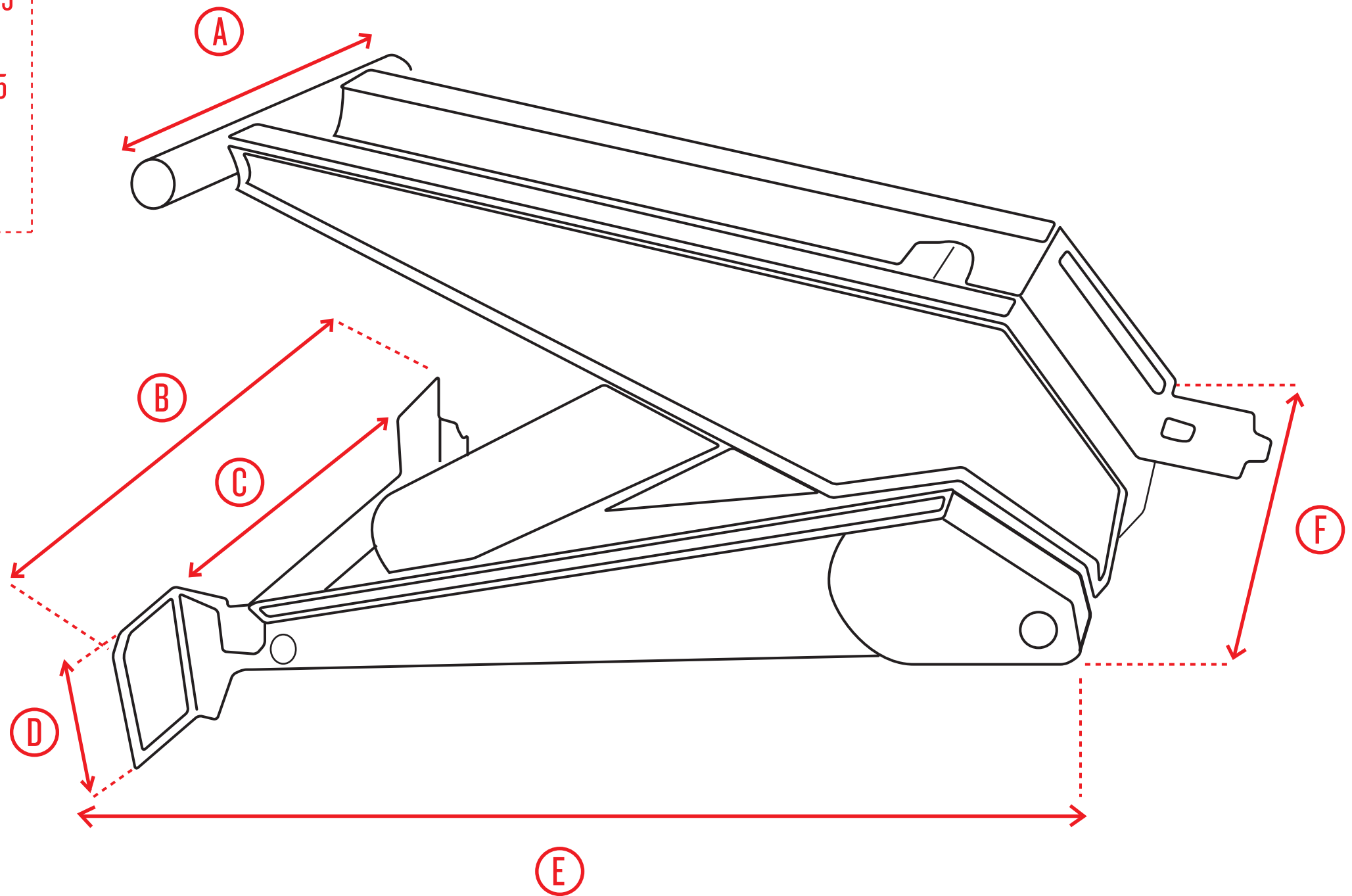
CLOSED HOIST



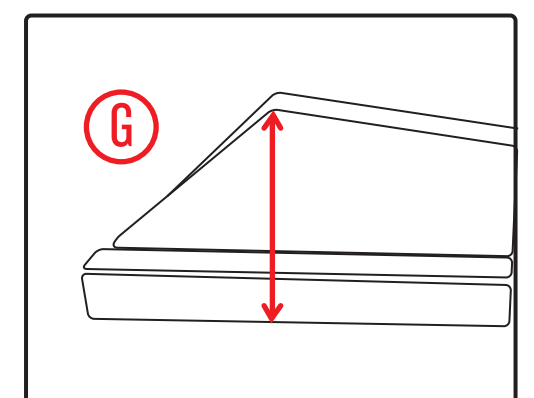
620
MODEL

POWER HOISTS

A=24
B=38
C=25.25
D=10
E=51.25
F=23
G=13



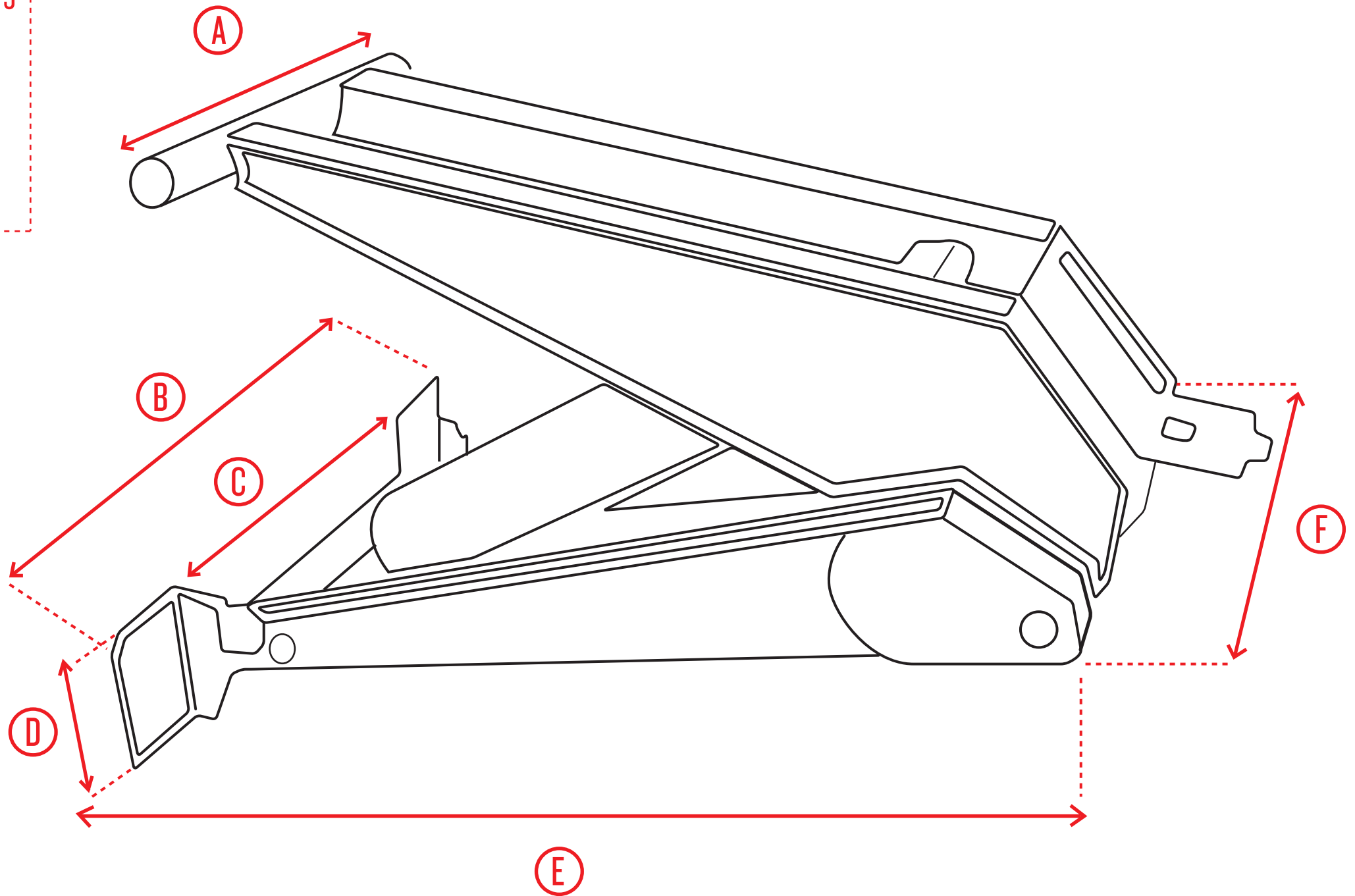
CLOSED HOIST



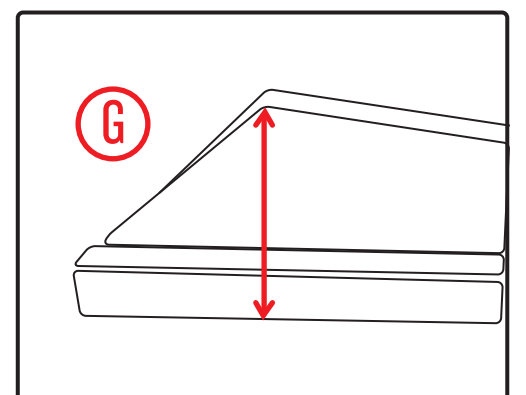
625
MODEL

POWER HOISTS

A=24
B=38
C=25.25
D=10
E=57.5
F=23
G=14



CLOSED HOIST



630
MODEL

POWER HOISTS

A=24

B=38

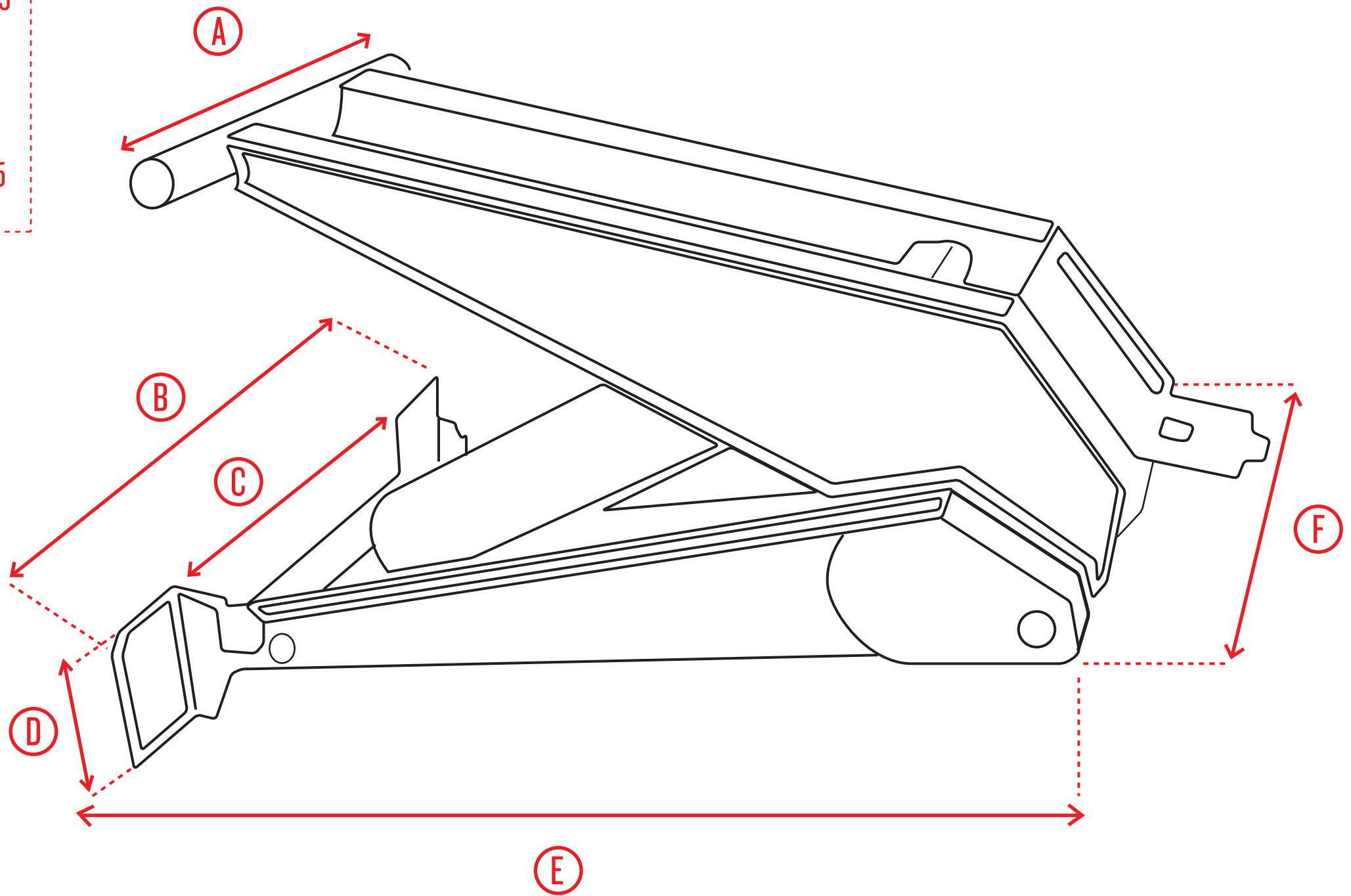
C=25.25

D=10

E=66

F=24

G=14.25



CLOSED HOIST

